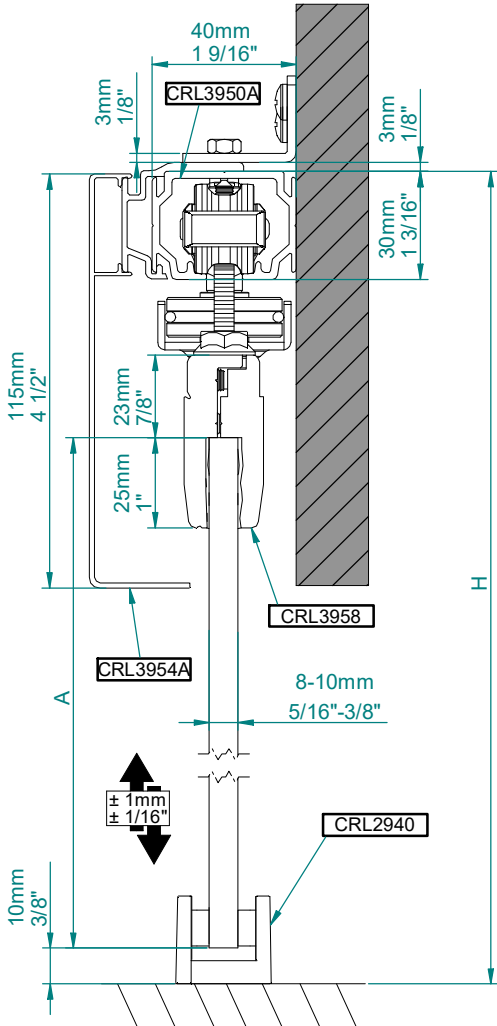


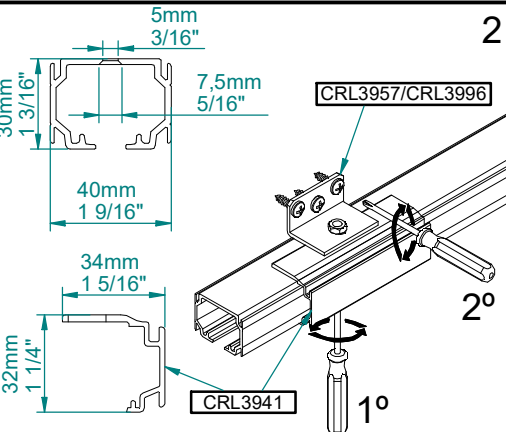


CRL50 S2



A = H - 83mm

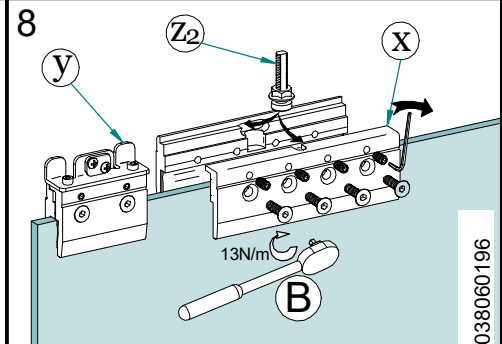
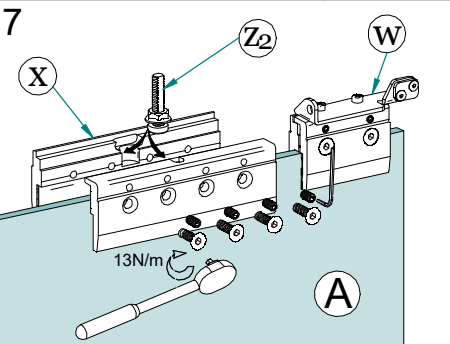
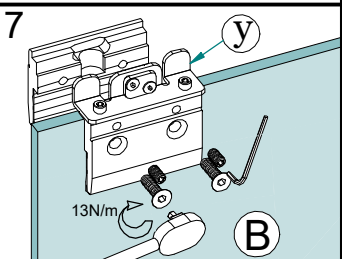
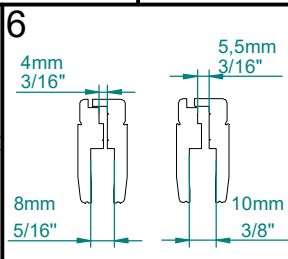
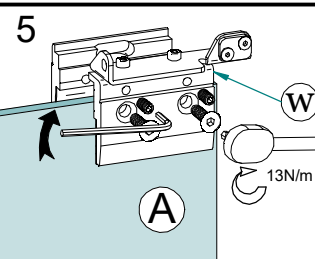
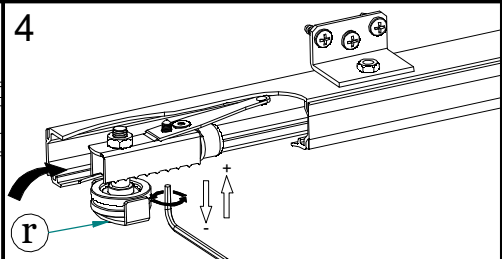
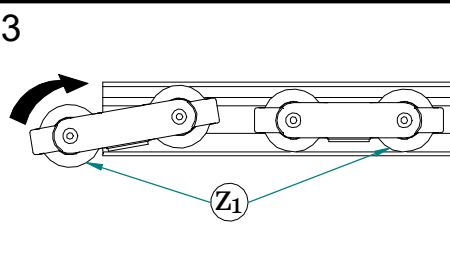
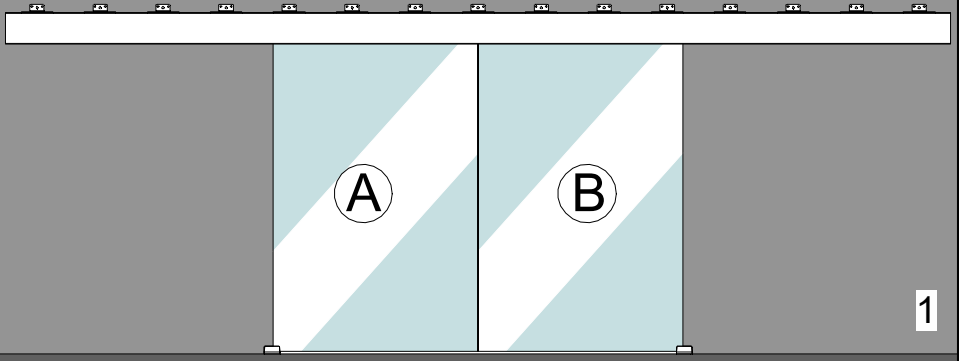
A = H - 3 4/16"



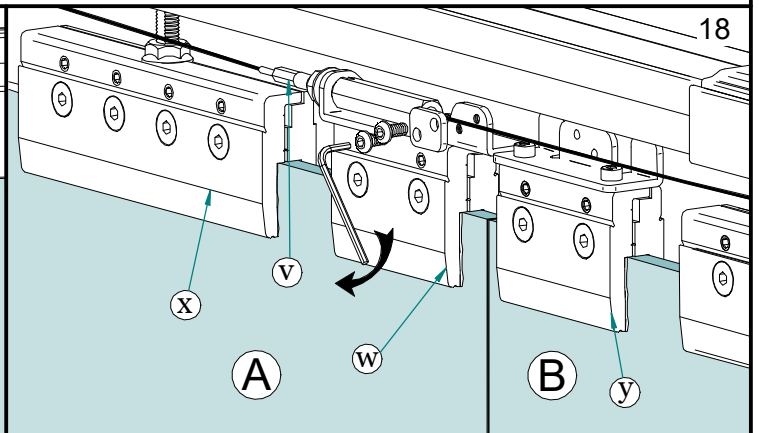
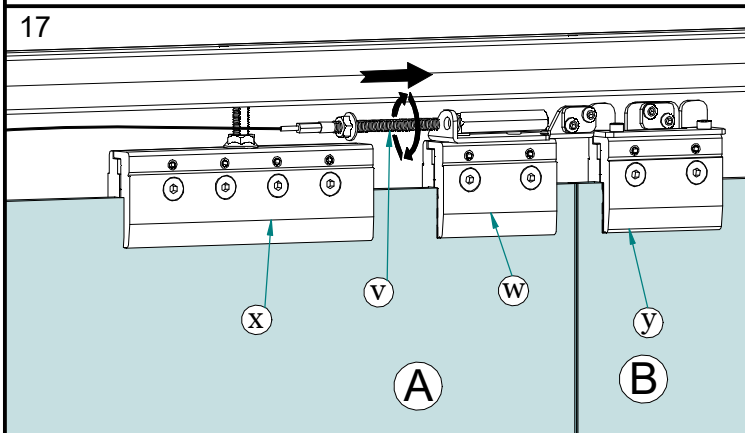
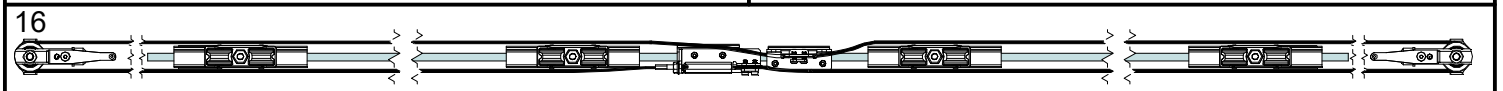
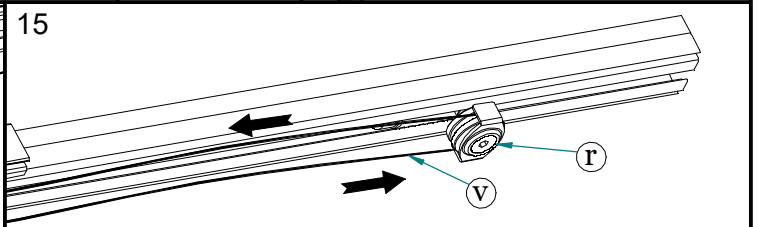
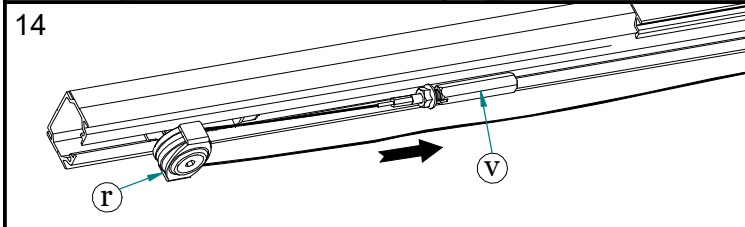
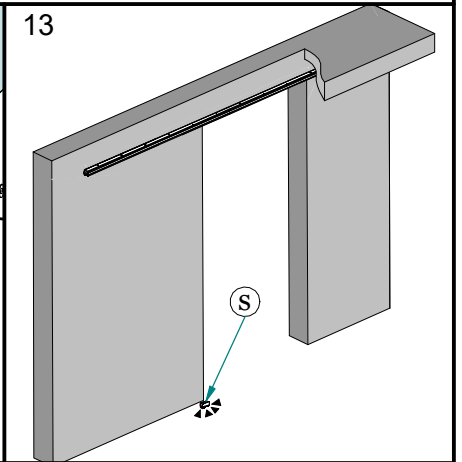
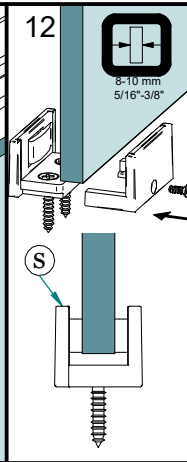
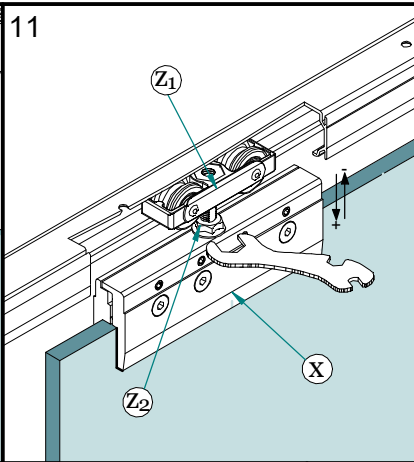
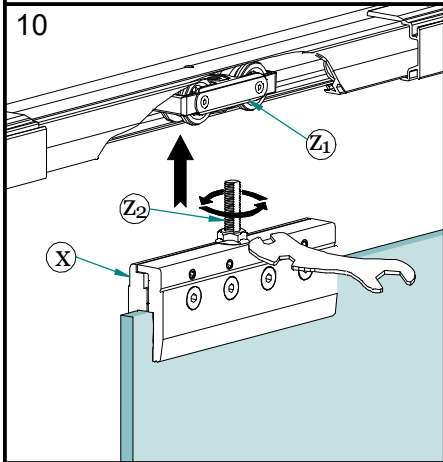
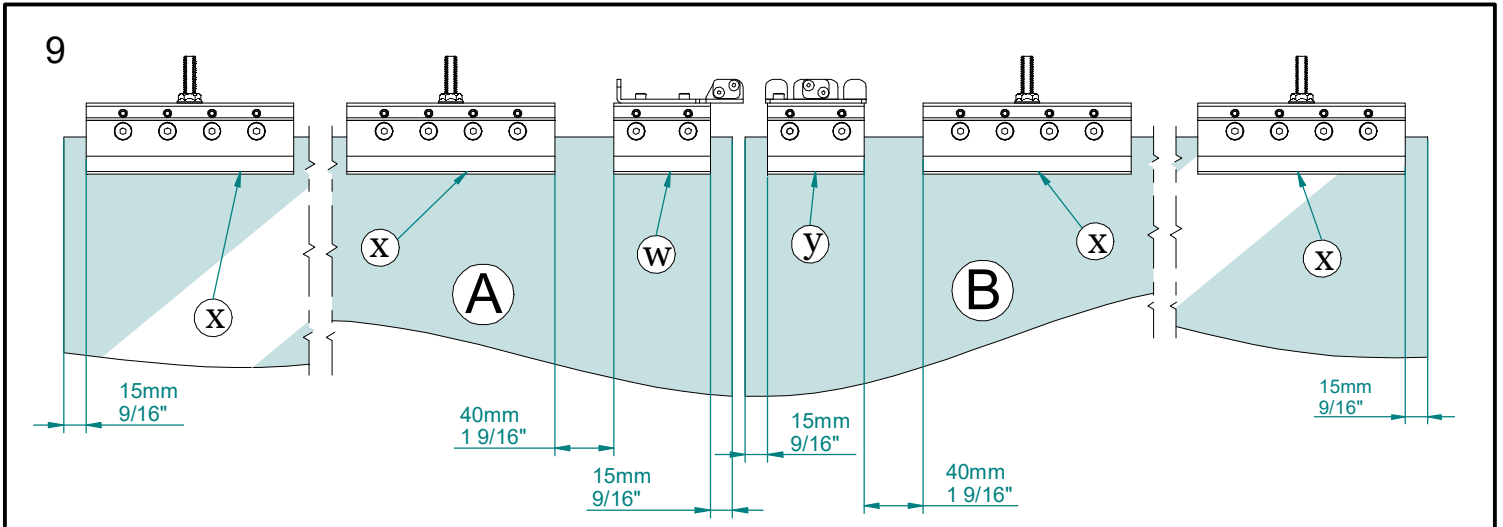
Content of the set

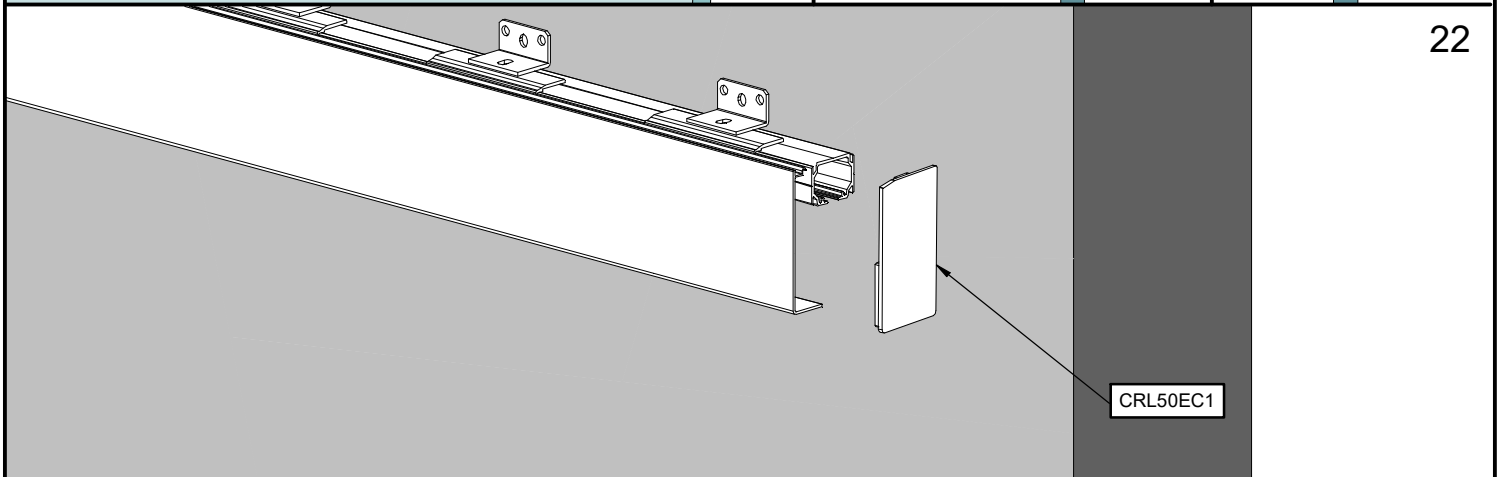
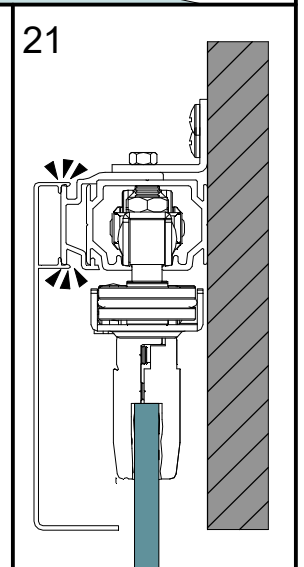
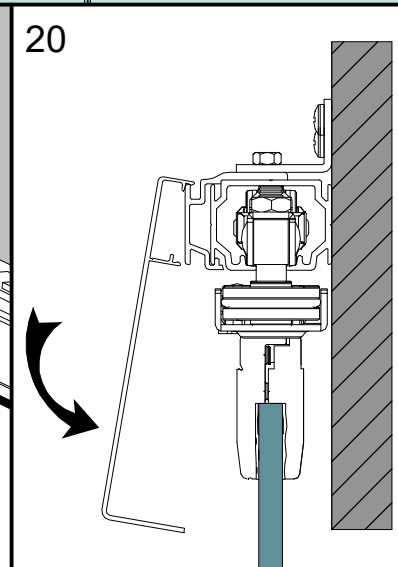
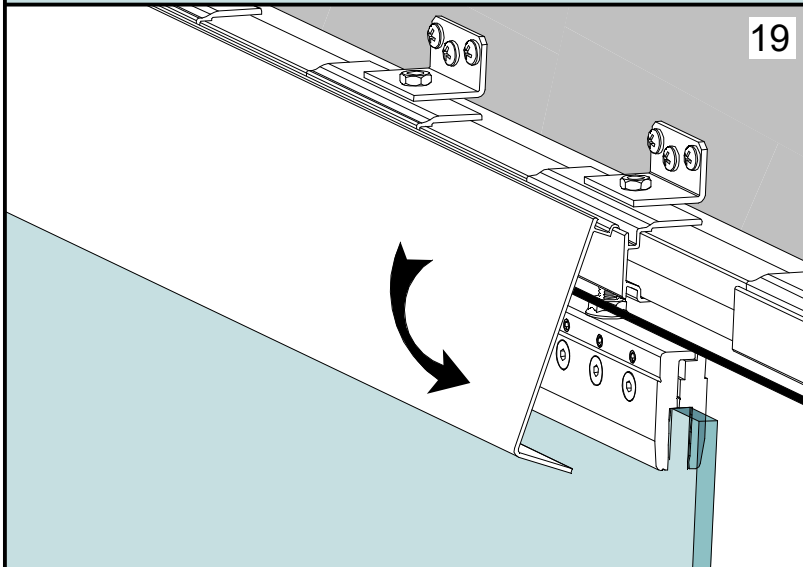
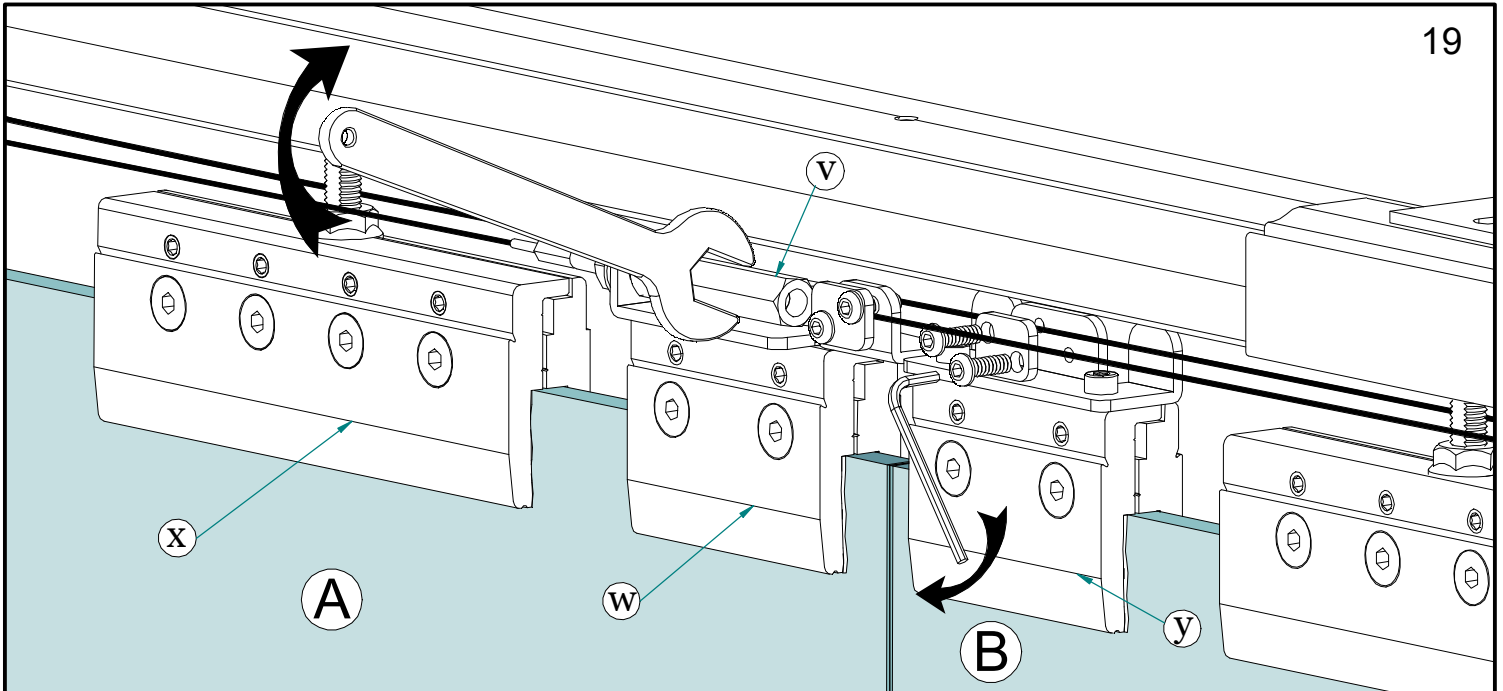
Contenido del juego
Contenu de l'ensemble

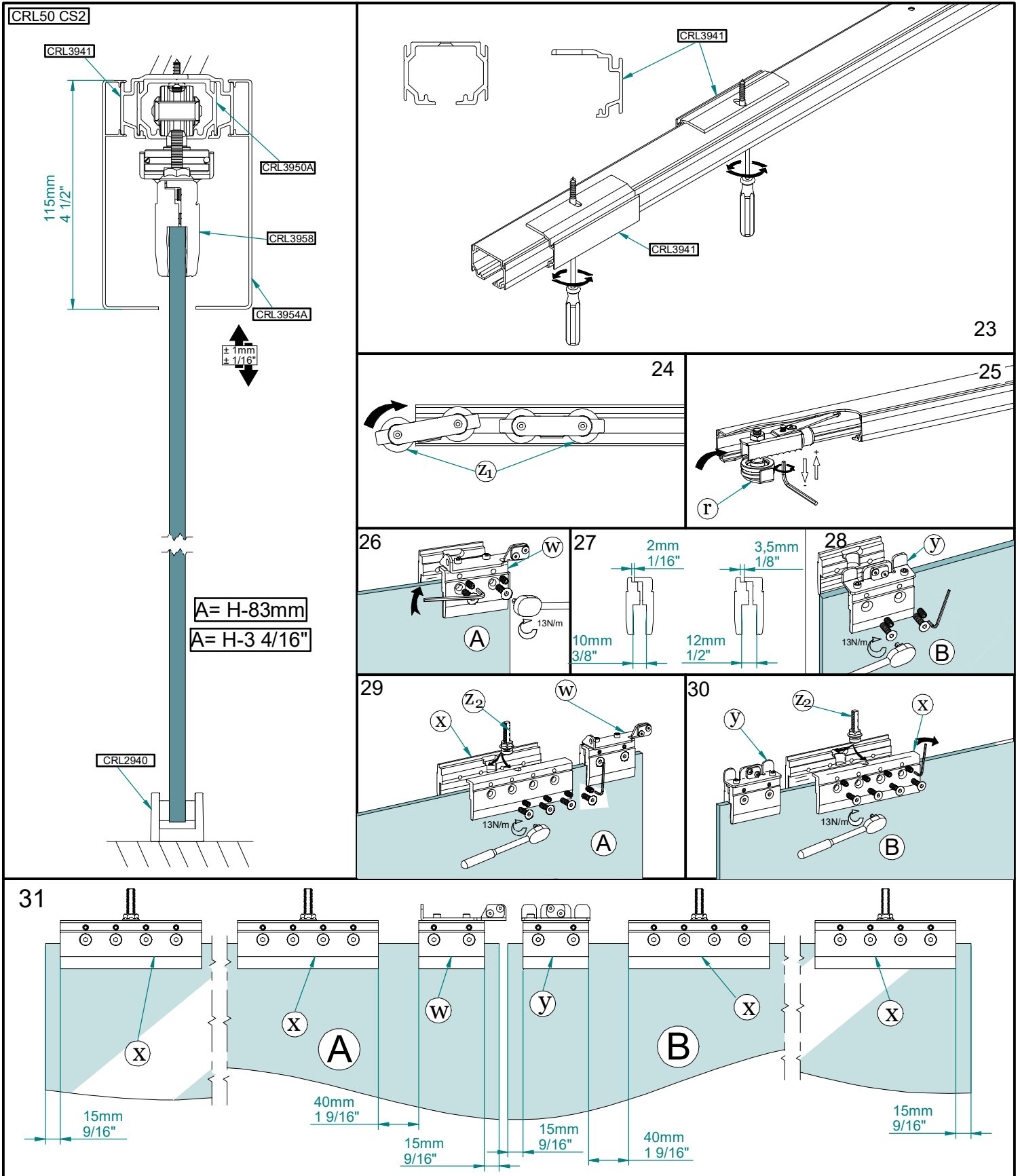
(S)	CRL 2940	2	(X)		4	(r)		2
			(Z)		4	(v)		1
			(Z1)		4	(y)		1
			(t)		1	(w)		1

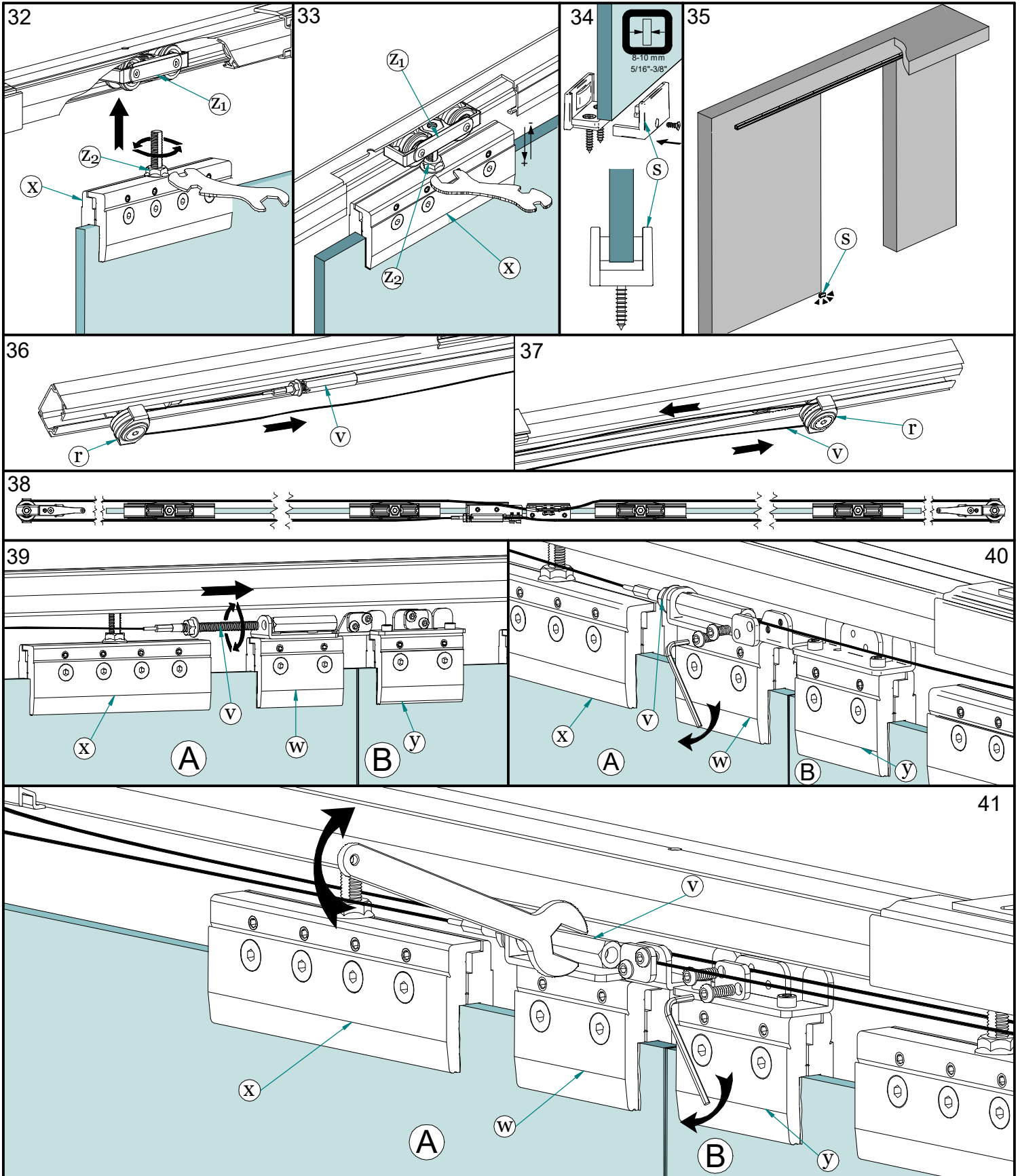


038060196









AVDB3132_01/23



CRL502 S2

45

40mm
1 9/16"

3mm
1/8"

3mm
1/8"

30mm
1 3/16"

115mm
4 1/2"

10mm
3/8"

25mm
1"

23mm
7/8"

±1mm
±1/16"

8-10mm
5/16"-3/8"

8-10mm
5/16"-3/8"

12mm
1/2"

5mm
3/16"

10mm
3/8"

To be filled

CRL3950A

CRL3958

CRL3954A

CRL3979A

CRL2940

F = H - 71mm
F = H - 2 12/16"

A = H - 83mm
A = H - 3 4/16"

43

44

46

5mm
3/16"

30mm
1 3/16"

7.5mm
5/16"

40mm
1 9/16"

45mm
1 3/4"

72.5mm
2 7/8"

CRL3957/CRL3996

CRL3955A

2°

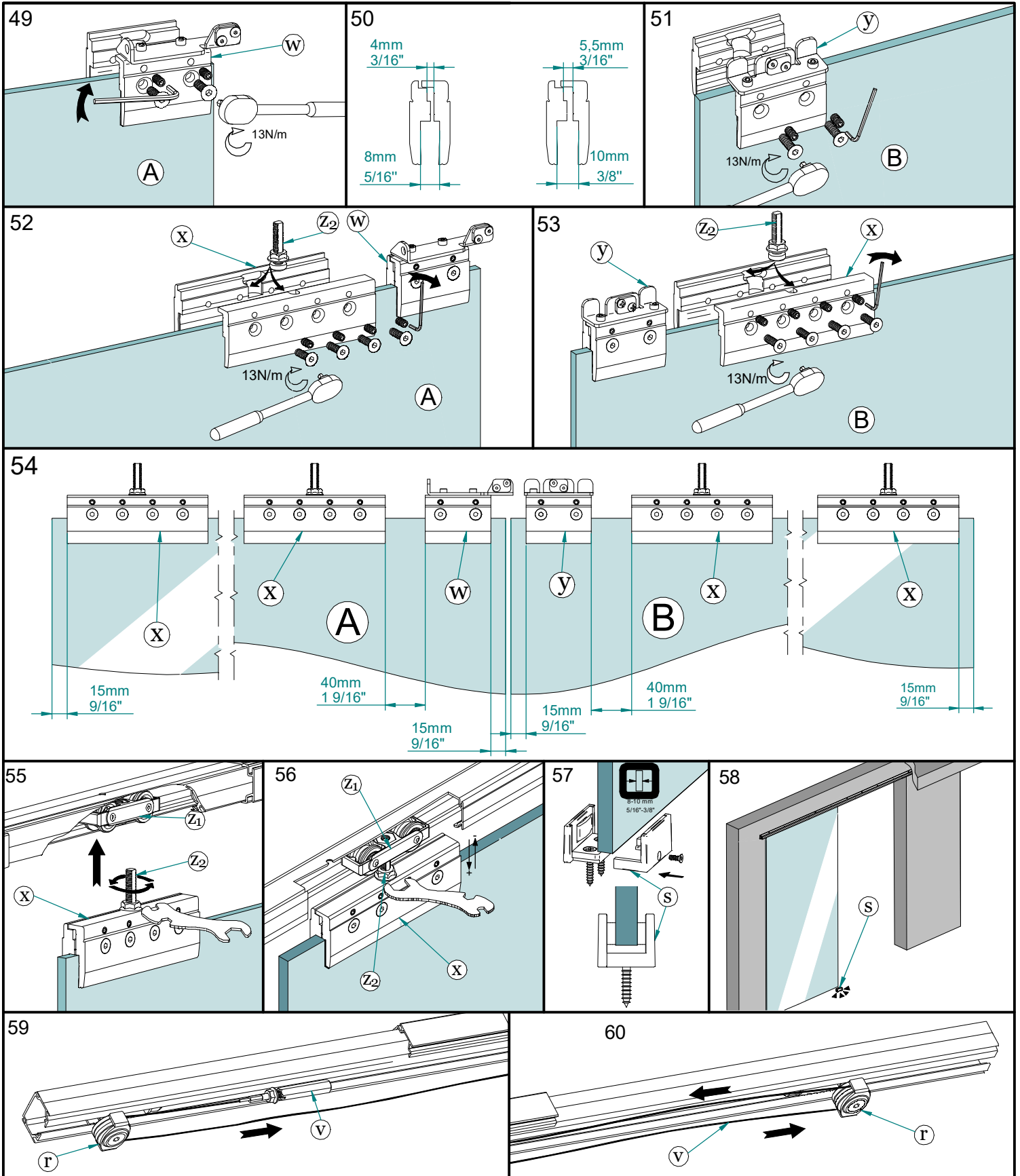
1°

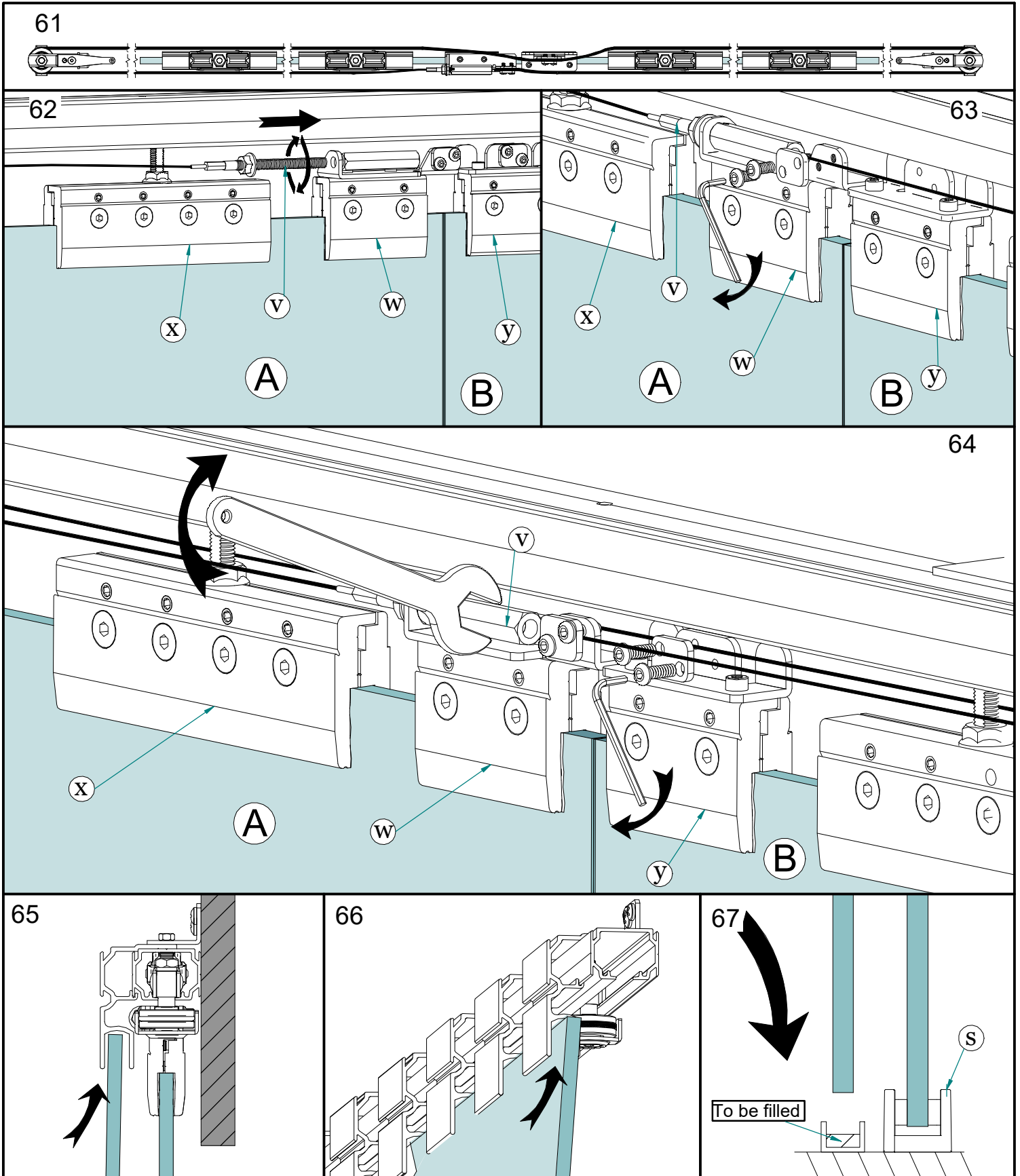
47

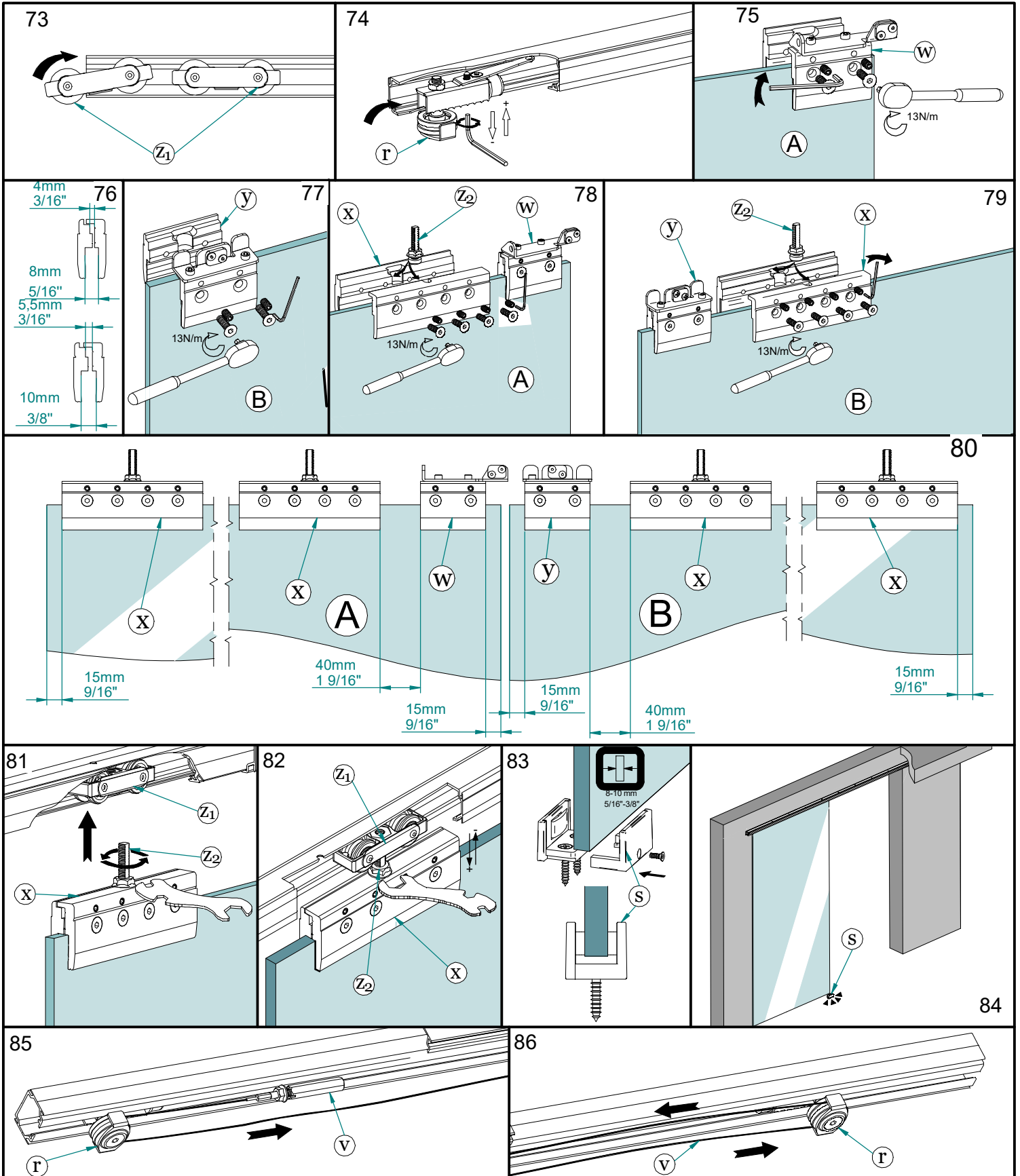
Z₁

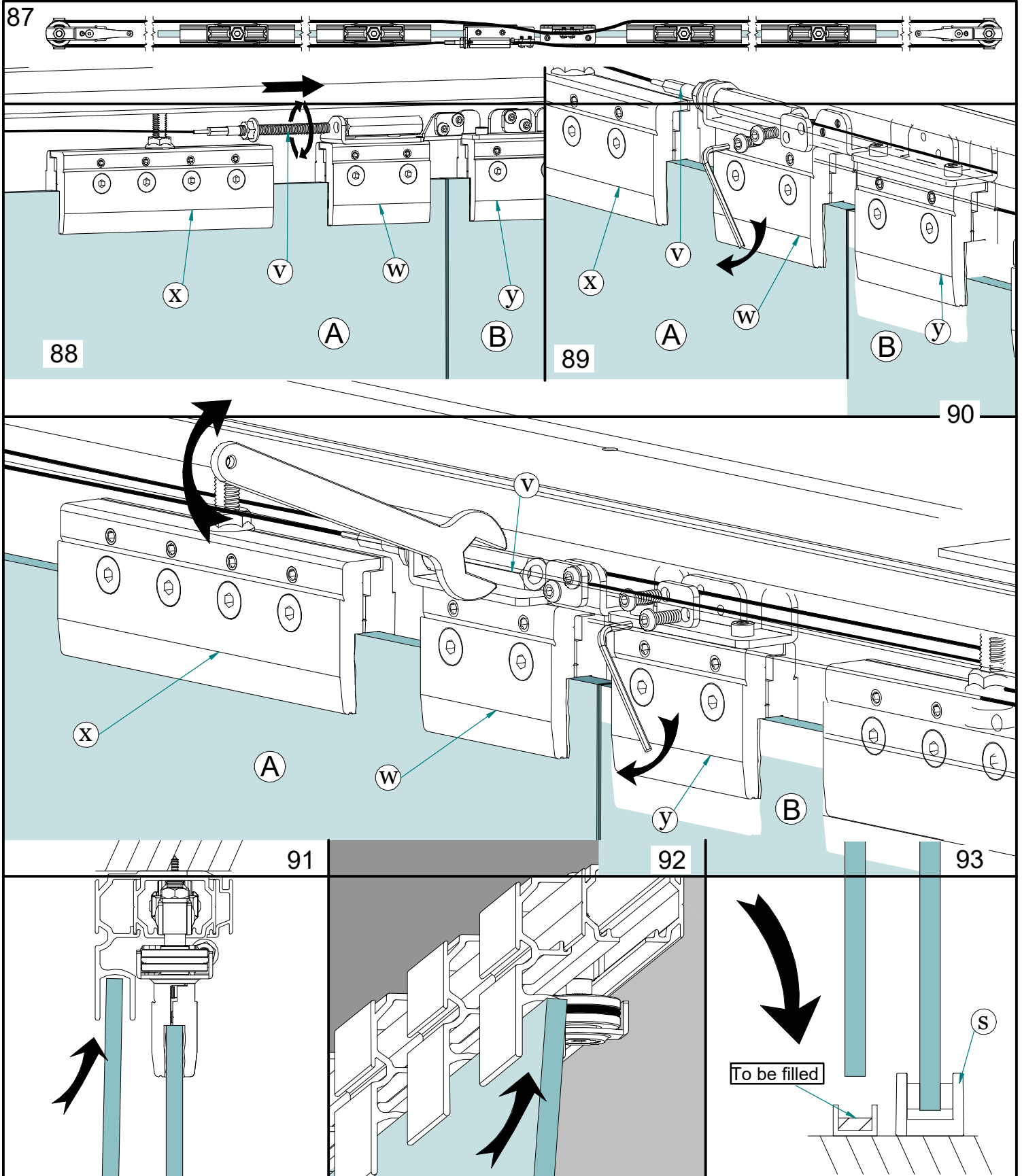
48

R









AVDB3132_01/23

